

ANY COUNTER

AH5K PRESET COUNTER



CHARACTERISTIC :

- Proximity and photoelectric switch compatible
- Seven-segment-display for clear display and effective monitoring
- Protection against power surge and high frequency interference
- Input signal - active-low or active-high input contact (1+4)
- Available on Count Up or Count Down model
- Reset method - shut-off reset or shorting contact (1+3) instantaneous reset
- Memory switch allows users to enable or disable permanent memory function *
- Manual reset button on faceplate *
- UL, C-UL recognized and CE certified *

Note: *indicates applicable to AH5CK series only

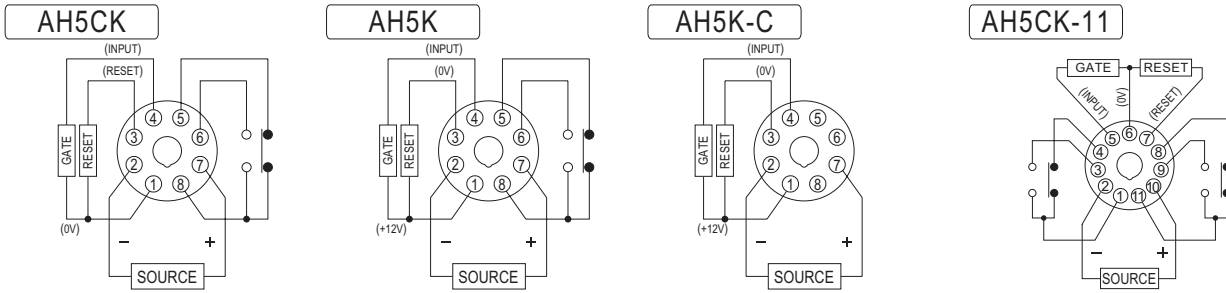
SPECIFICATION :

Operating voltage	AH5K DC(V): 12, 24 AC(V): 12, 24, 110, 220, 240
Allowable operating voltage range	85~110% of rated operating voltage
Rated frequency	50 / 60 Hz
Contact rating	250VAC 5A (resistive load)
Count speed	MAX 60 cps or 200 cps
Reset time	MAX 0.1S
Power consumption	AH5K Approx. 2VA
Life	Mechanical: 5,000,000 times Electrical: 100,000 times
Ambient temperature	-10 ~ +50°C
Ambient humidity	MAX 85%RH
Weight	AH5K Approx. 170g

TYPE SELECTION :

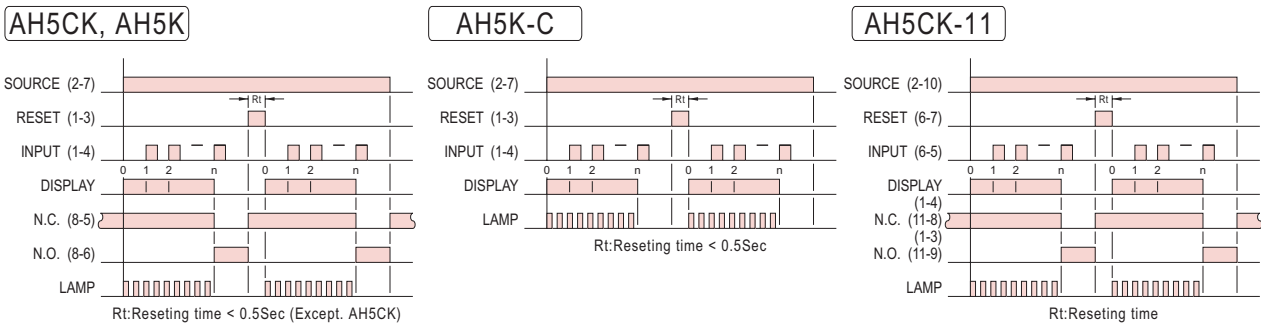
Display	4Digits(0~9999)				3Digits(0~999)	2Digits(0~99)
Memory	○	○	----	----	----	----
Output contact			1C	----	1C	1C
Standard (under 60 cps)			AH5K-4D	AH5K-C	AH5K-3D	AH5K-2D
High speed (under 200 cps)			AH5K-4DH	AH5K-CH	AH5K-3DH	AH5K-2DH
Count down			AH5K-4DD	AH5K-CD	AH5K-3DD	AH5K-2DD
Auto reset			AH5K-4DR	AH5K-CR	AH5K-3DR	AH5K-2DR

CONNECTION :



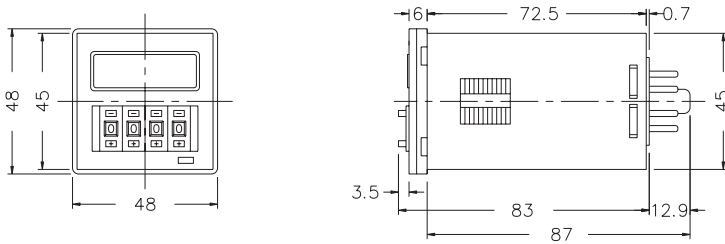
Note: AH5K, AH5K-C: When using Proximity(Type PNP) or photoelectric switch, connect (+) to pin (1), (-) to pin (3) and (OUT) to pin (4)
 AH5CK: When using Proximity(Type NPN) or photoelectric switch, connect (+) to external 12VDC, (-) to pin (1) and (OUT) to pin (4)
 AH5CK-11: When using Proximity(Type NPN) or photoelectric switch, connect (+) to external 12VDC, (-) to pin (6) and (OUT) to pin (5)

TIMING CHART :



DIMENSIONS : (mm)

N type(Surface Mounting): Using P2CF-08 , PF085A Socket or PF113A Socket(for AH5CK-11 use only)



Y type(Flush Mounting): Using Y50 Frame & US-08 Socket , P3G-08 Socket or P3G-11 Socket(for AH5CK-11 use only)

